

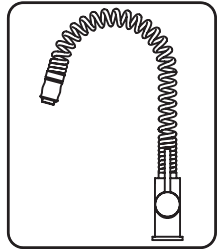


MODEL-KPF-1610

Product Description and Measurements

Installation Instruction

Single Lever Pull Out Sink Mixer



Thank You

Dear Valued Customer,
Kraus would like to take this opportunity to thank you for purchasing Kraus products. It is our sincere hope that you are completely satisfied with your new purchase. We welcome any questions or comments you may have and look forward to assisting you in the future.

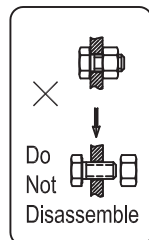
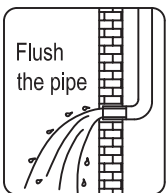
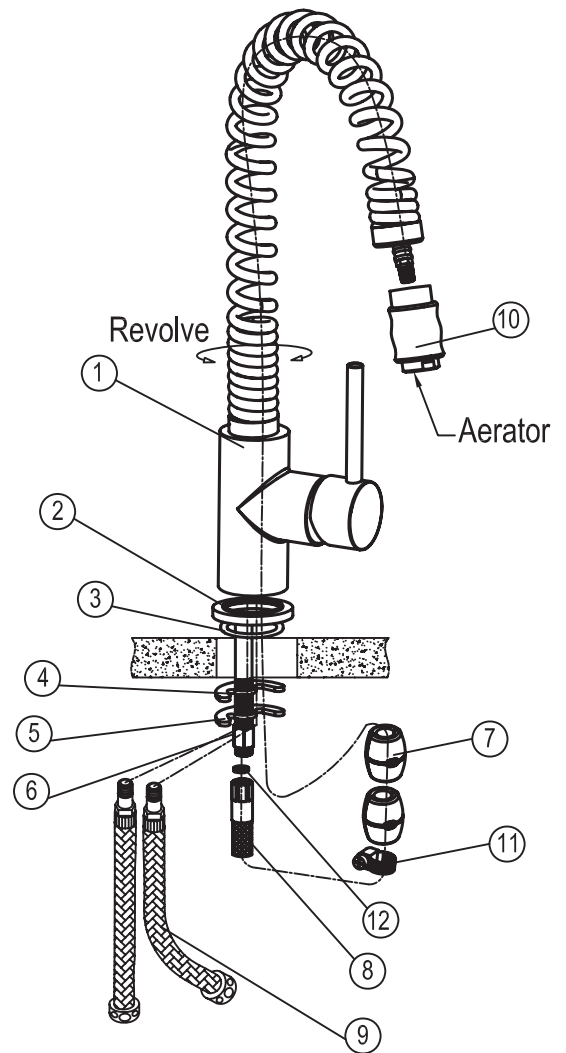
Sincerely,
Kraus customer service department.

Prior To Installation Steps

1. Unpack your new product and ensure that all the parts are contained in the packaging. Keep the product in its original box until you ready to install it.
2. Shut off the water supply if replacing a previously-installed faucet.
3. Observe all plumbing and building codes in your area.
4. It is recommended that installation of the product be done by a professional plumber.

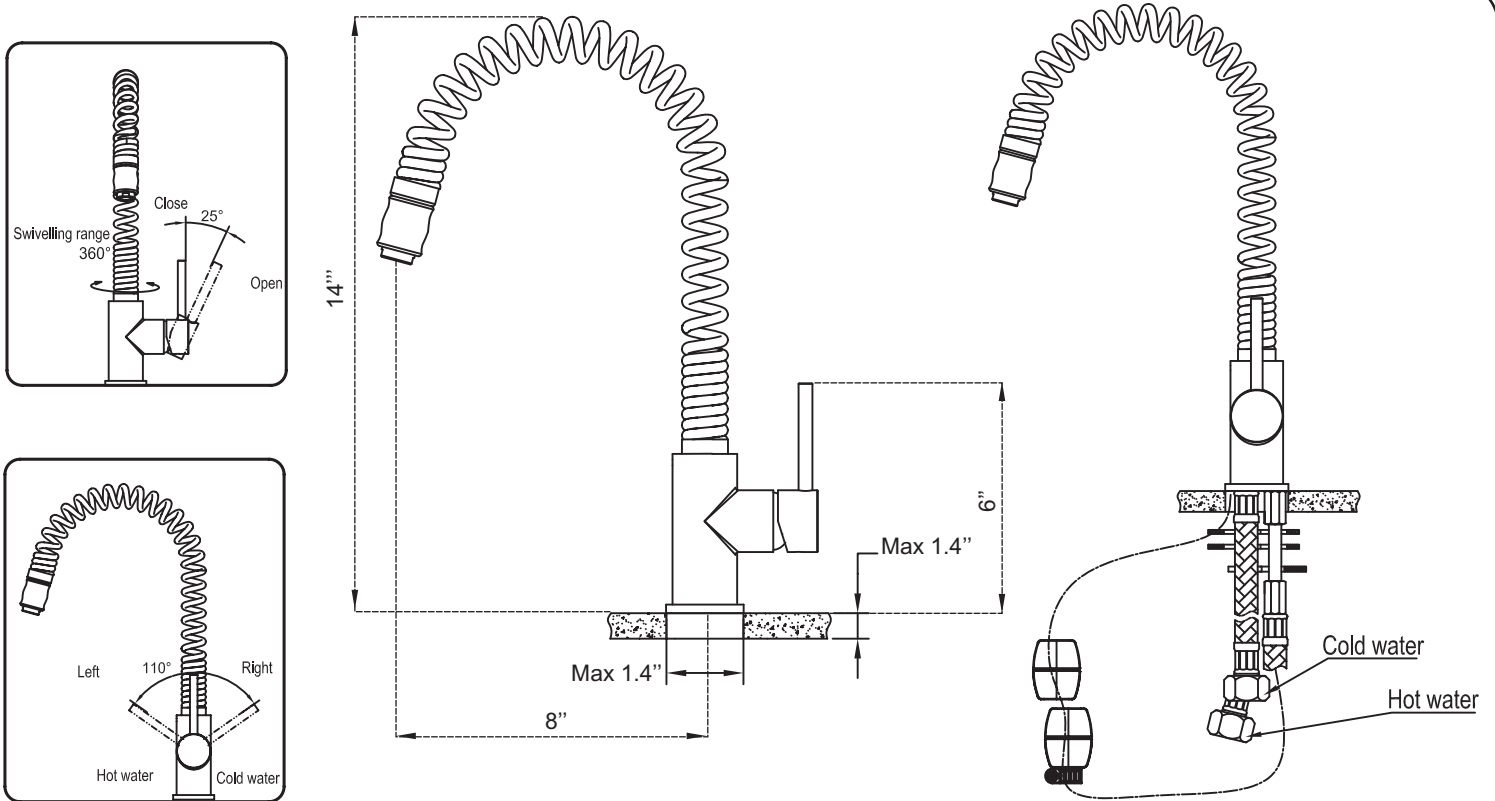
Installation

Code	Parts List	Quantity
1	Main Body	1
2	Base	1
3	O-Ring	1
4	Cushing	1
5	Gasket	1
6	Nut	1
7	Lead Ball	2
8	Flexible Hose	1
9	Inlet Pipe	2
10	Aerator Unit	1
11	Fixing Ring	1
12	Washer	1



Do not disassemble the main body, as it has been installed & commissioned correctly & precisely before leaving the factory.
 To avoid the faucet from jamming, DO flush the water pipe before installation.
 After installation make sure every joint is safely sealed (NO LEAKAGE).
 Make sure to connect the hot/cold inlet pipe correctly form front view hot water pipe connecting to the left and cold water pipe connecting to the right .

Installation



Make sure the installation holes are in the correct size.
 Install the lavatory and pop-up waste as shown in the drawing.
 Connect the main body and water supply pipe with water inlet pipe



Usage, Cleaning & Maintenance

Cleaning & Maintenance

To keep product clean and shiny follow the instruction below.

1. Flush with clean water and dry with soft cloth only.
2. Do not use any detergent, polisher, sane-cloth, or a scraper.
3. Do not use acid detergent.

Usage

How to operate the handle

1. Raise the handle lever up for opening water, push it down for close.
2. Turn the handle lever to left to increase hot water flow for higher water temperature by operating reversely.
3. The swivelling can be circled 360 .